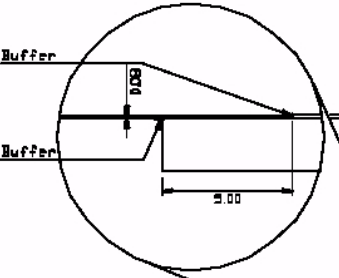
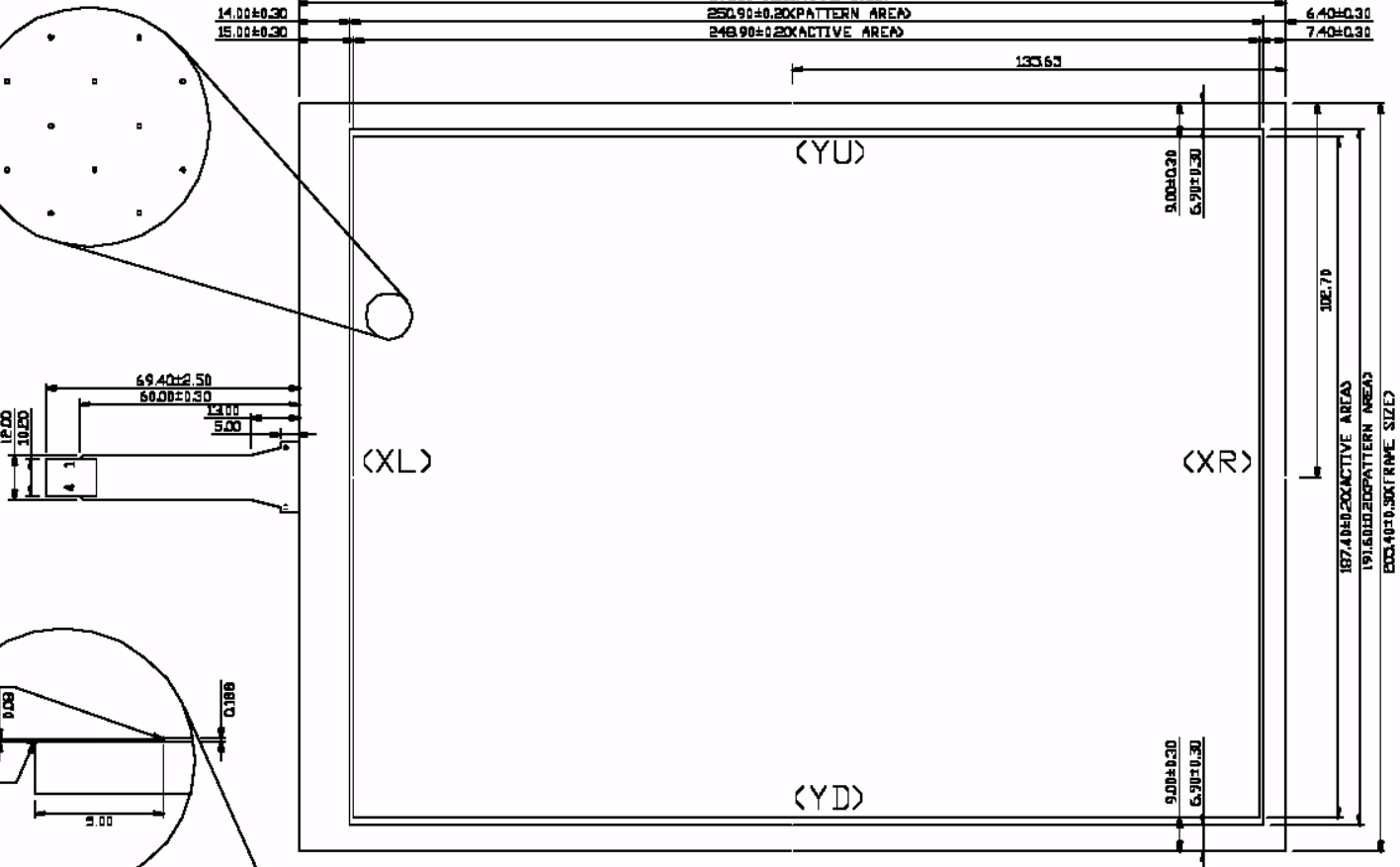


NOTE:
spacer dotφ0.1mm
pitchφ=45°

PIN ASSIGNMENT	
PIN NO.	DESIGNATION
1	YU
2	XL
3	YD
4	XR



SUBSTRATE CLASS : P7.3xφ154φv++130-FLAT-1.8T

DRAWN	PETER	MODEL NO	KTT-120LAM	DRAWING NO	P12103V02	KEYTEC, INC. Richardson, TX, USA www.magictouch.com	4 WIRES TOUCH PANEL DIMENSION FOR LCD 12.1 INCH	SHEET	OF
DESIGN	DAVID LIN	SCALE		UNIT	m/m			1	1
APPROVE	E. SUN	DATE	2001.10.16	MATERIAL	FILM/GLASS				

1 2 3 4 5 6 7 8