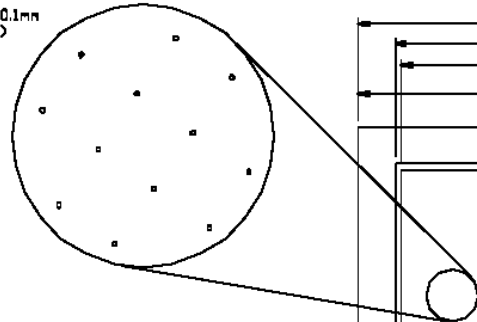
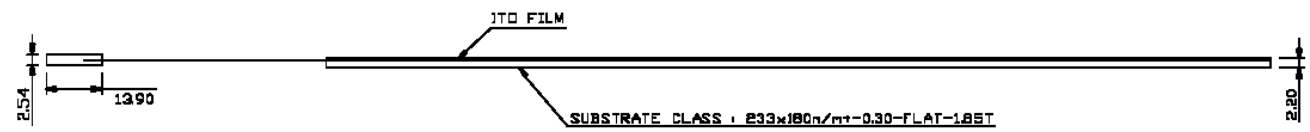
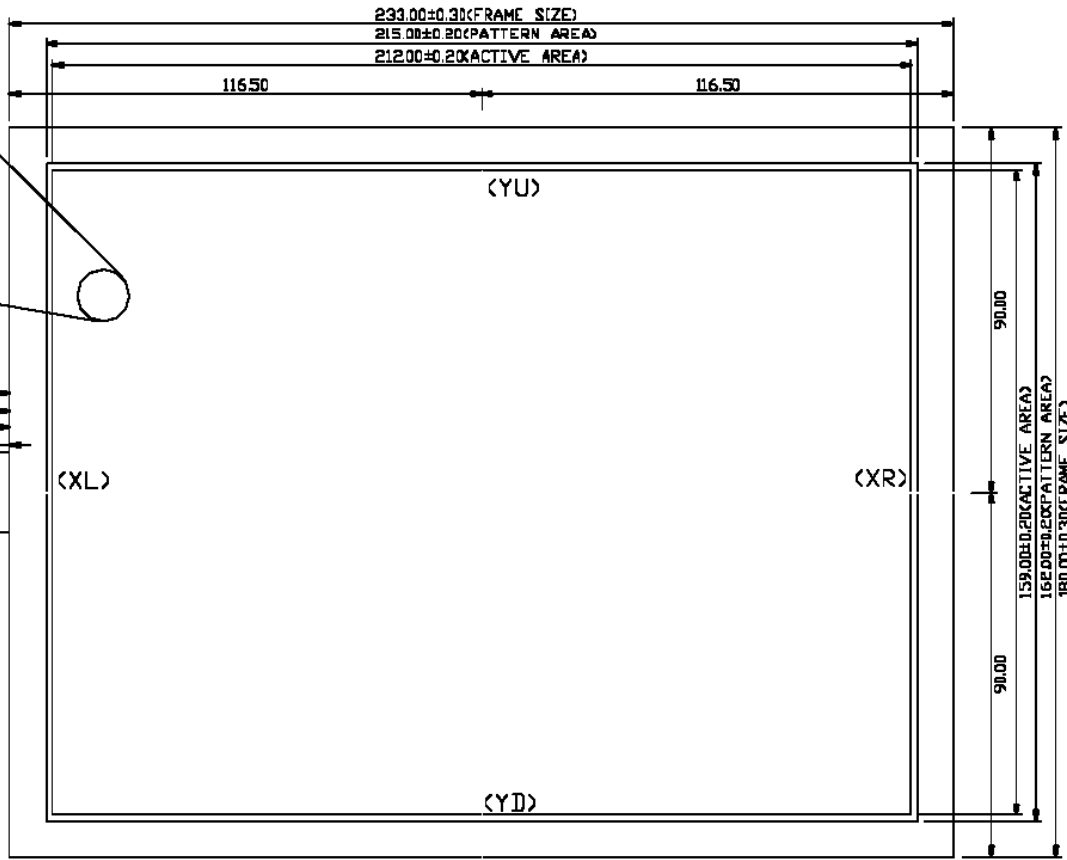
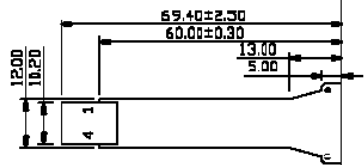


NOTE
 spacer data:0.1mm
 pitch:3mm(45°)



PIN ASSIGNMENT	
PIN NO.	DESIGNATION
1	YU
2	XL
3	YD
4	XR



SUBSTRATE CLASS 1 233x180mm±0.30-FLAT-1.85T

DRAWN	PETER	MODEL NO	KTT-104LAM	DRAWING NO	P10407V01	KEYTEC, INC. Richardson, Texas, USA www.magictouch.com	4 WIRES TOUCH PANEL DIMENSION FOR LCD 10.4 INCH	SHEET	OF
DESIGN	DAVID LIN	SCALE		UNIT	m/m		1	1	
APPROVE	B. Sun	DATE	2001.11.30	MATERIAL	FILM/GLASS				